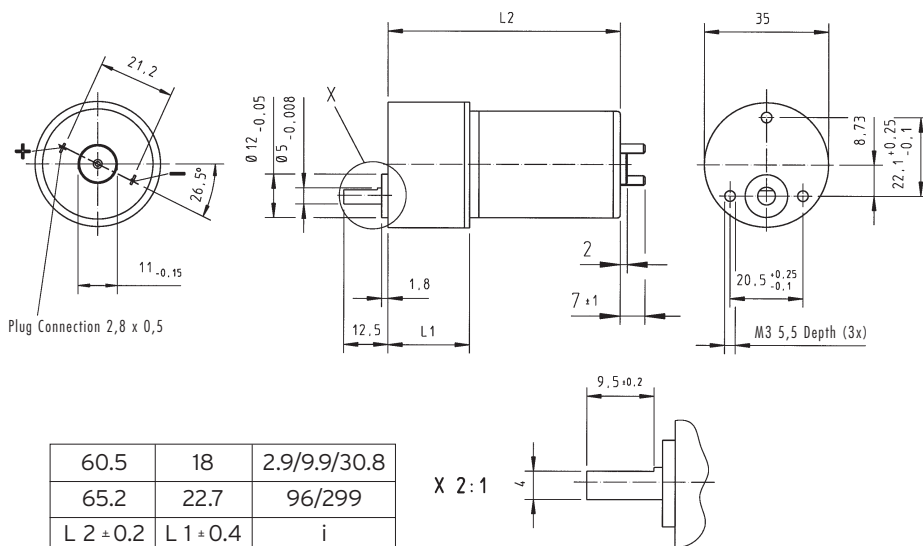


DC PM Gearmotor Platform 1.61.046.



The illustrated gearmotor is representative for the platform.

60.5	18	2.9/9.9/30.8
65.2	22.7	96/299
L 2 ± 0.2	L 1 ± 0.4	i

X 2:1

Platform 1.61.046.		Rated Torque	Rated Speed	Rated Current	No Load Speed	Terminal Resistance	Gear Ratio	Stages
		T_N	n_N	I_N	n_o	R	i	-
		mNm	r.p.m.	mA	r.p.m.	Ω	:1	-
12 V	311	25	1040.0	700	1710.0	9.0	2.9	1
	312	70	335.0	600	500.0	9.0	9.9	2
	313	150	121.0	500	160.0	9.0	30.8	3
	314	300	43.5	390	52.0	9.0	96.0	4
	315	300	15.5	220	16.5	9.0	299.0	5
18 V	321	25	1040.0	470	1710.0	20.0	2.9	1
	323	70	335.0	400	500.0	20.0	9.9	2
	324	150	121.0	340	160.0	20.0	30.8	3
	325	300	43.5	260	52.0	20.0	96.0	4
	326	200	15.5	150	16.5	20.0	299.0	5
24 V	331	25	1040.0	350	1710.0	35.0	2.9	1
	332	70	335.0	300	500.0	35.0	9.9	2
	333	150	121.0	250	160.0	35.0	30.8	3
	334	300	43.5	195	52.0	35.0	96.0	4
	335	300	15.5	110	16.5	35.0	299.0	5

Standard types available from stock without minimum order quantity.

Standard articles produced to order, but not kept in stock.

Customized versions on request.

DESIGN:

- Integral DC PM Motor
- Brush type commutation
- 7 segment commutator
- RFI protection standard (see CE-marks)
- Gear drive made of metal gears
- Terminal dimensions 2.8 x 0.5
- Weight: 150 g

Max. allowable radial load _____ 60 N
(10 mm from mounting surface)
Max. allowable axial load _____ 5 N
Axial play _____ 0.05 - 0.6 mm
Allowable temperature range _____ -20 °C/+60 °C

Examples for customized designs:

- Available with motor 1.13.023
motor 1.13.021
- Max. reduction ratio up to 3000 : 1
- Torque capability: max. torque up to 500 mNm
- Output shaft configuration:
Shape according to customers specification
- Extended temperature range: -30 °C/+85 °C
- Protection class: IP44
- Add-ons:
Encoder
Lead connections or
Plug connections
Drive dog (e. g. pinion)